

1.5A, 2.7V-20V Dual H-Bridge Motor Driver

Description

The SA8833 is a bipolar stepper-motor driver with dual, built-in full-bridges consisting of N channel power MOSFETs.

It operates from a supply voltage range of 2.7V to 20V and can deliver motor current up to 1.5A per channel. The internal safety features include overcurrent protection, short-circuit protection, sinking and sourcing current limits implemented with external sensors, under-voltage lockout and thermal shutdown. Internal An over-temperature output flag is available to indicate thermal shutdown.

The SA8833 is available in 16-pin, 5.0mmx6.4mm TSSOP-EP and TSSOP, 3mmx3mm and 4mmx4mm QFN package with an exposed thermal pad on the back.

Features

- Wide 2.7-20V Input Voltage Range
- Continuous current up to 1.5A
- $R_{DS(on)}$: 730m Ω (HS+LS)
- Low Quiescent Current
- Low Sleep Current
- Thermal Shutdown protection
- Under-Voltage Lockout Protection
- Over-Current Protection
- Over-Temperature Output Flag
- PWM Winding Current Regulation and Current Limiting
- HTSSOP16, QFN4X4-16 Package

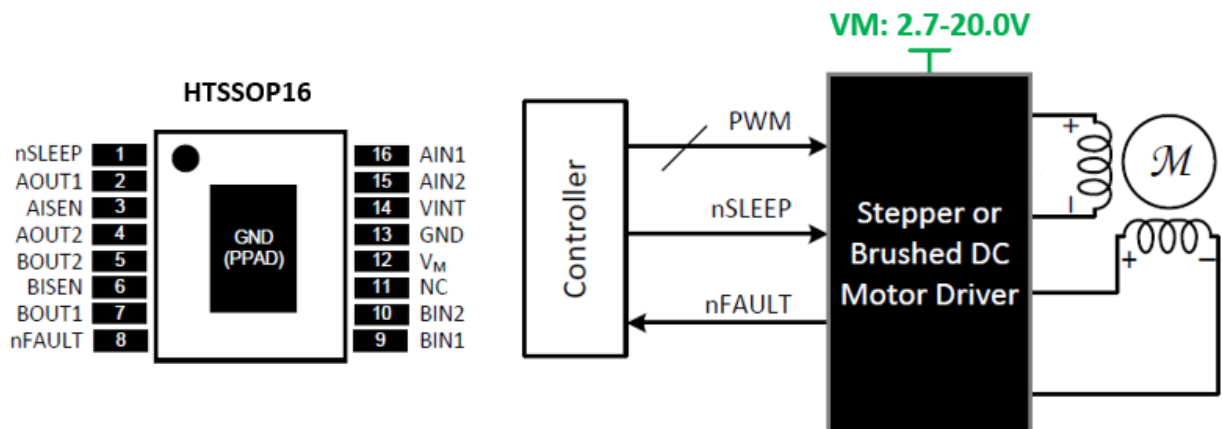
Applications

- POS Printers
- Video Security Camera
- Digital Still Cameras
- Battery Powered Toys

Device Information

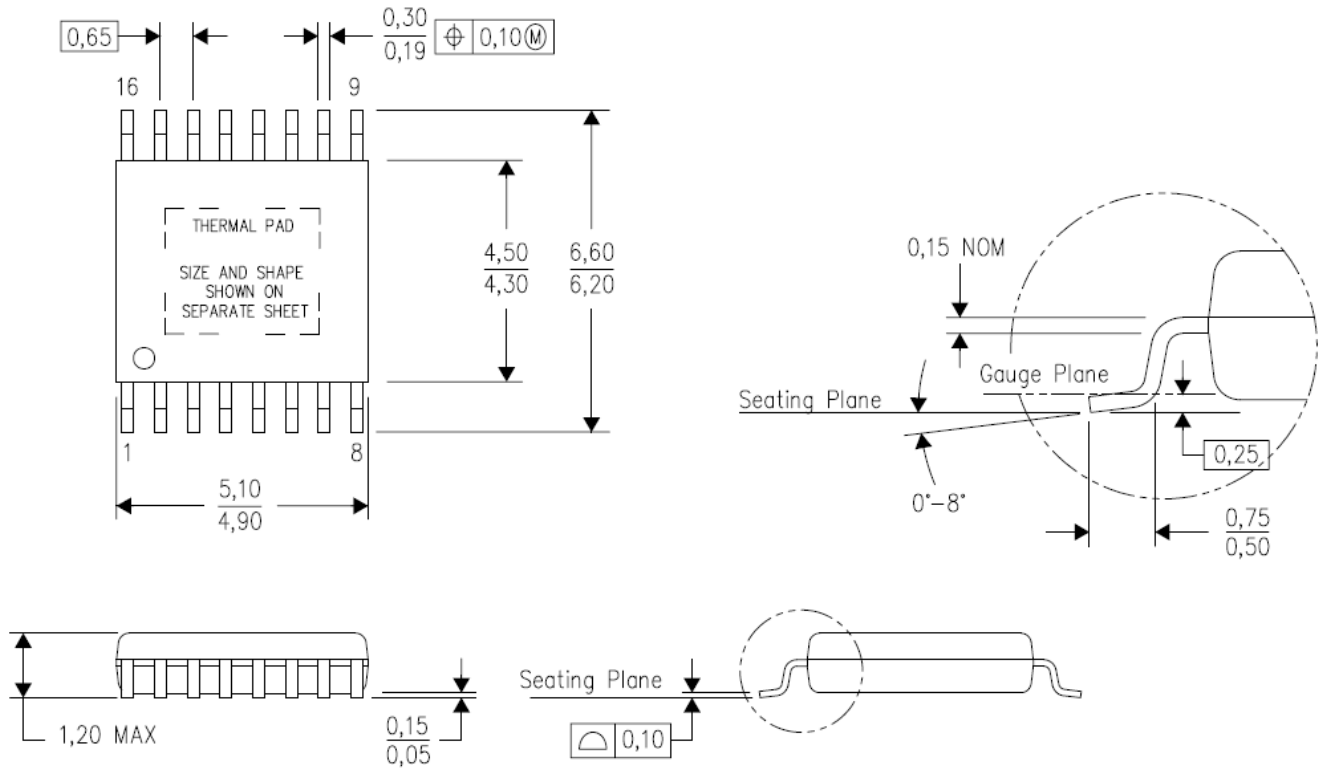
Part No.	Package	Quantity
SA8833	HTSSOP16	3000/Reel
	QFN4X4-16	4000/Reel

SA8833 Package & Simplified Schematic



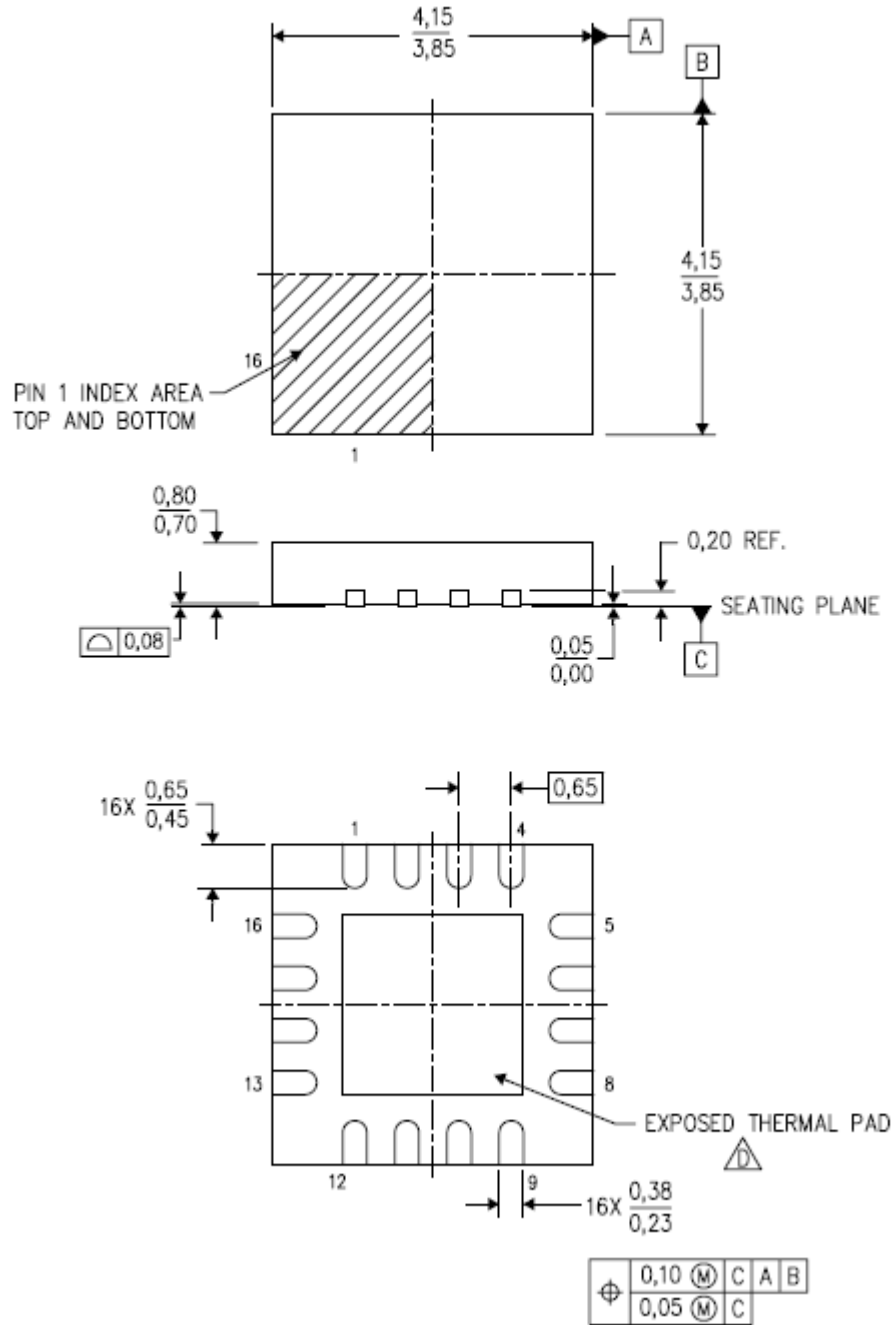
1.5A, 2.7V-20V Dual H-Bridge Motor Driver

Package HTSSOP16



1.5A, 2.7V-20V Dual H-Bridge Motor Driver

QFN4X4-16



1.5A, 2.7V-20V Dual H-Bridge Motor Driver

IMPORTANT NOTICE

Syta Technology Corporation (Sytatek) reserves the right to make corrections, modifications, enhancements, improvements, and other changes to its products and to discontinue any product without notice at any time.

Sytatek cannot assume responsibility for use of any circuitry other than circuitry entirely embodied in a Sytatek product. No circuit patent licenses are implied.