

## 42V Input Standoff Voltage, 1A Step-Down LED Driver in SOT23-6

### DESCRIPTION

The ETA2840 is a wide input range, high-efficiency, and high frequency DC-to-DC step-down LED driver, capable of delivering up to 1.5A of output current. ETA2840 provide 0.15V feedback voltage, which minimize the power loss on the sense resistor in a LED driver system. With a fixed switching frequency of 600KHz, This current mode PWM controlled LED Driver allows the use of small external components, such as ceramic input and output caps, as well as small inductors. ETA2840 also employs a proprietary control scheme that switches the device into a power save mode during light load, thereby extending the range of high efficiency operation. An OVP function protects the IC itself and its downstream system against input voltage surges. With the hysteresis, EN can be controlled by the ambient light-sensitive resistor.

ETA2840 is available in a space-saving SOT23-6 package.

### FEATURES

- ◆ Wide Input Operating Range from 4.5V to 36V
- ◆ Standoff Input Voltage: 42V
- ◆ High Efficiency PFM mode at light load
- ◆ Capable of Delivering 1.5A
- ◆ No External Compensation Needed
- ◆ Current Mode control
- ◆ Logic Control Shutdown
- ◆ En can be controlled by ambient light
- ◆ Thermal shutdown and UVLO
- ◆ Available in SOT23-6 Package

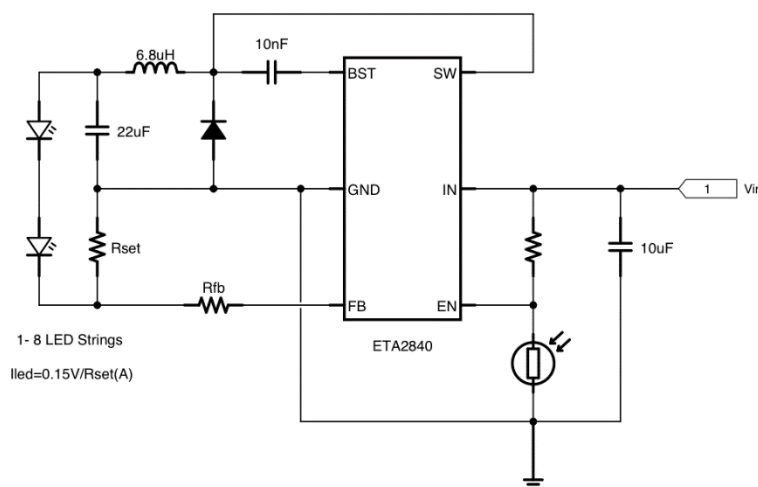
### APPLICATIONS

- ◆ IR LED driver for surveillance camera
- ◆ LED lighting
- ◆ Constant current source

### ORDERING INFORMATION

PART	PACKAGE PIN	TOP MARK
ETA2840S2G	SOT23-6	EQYW

### TYPICAL APPLICATION



Typical Circuit of ETA2840