

1A, 1.5MHz Step-Down Converter in DFN2X2-6 Package

DESCRIPTION

The ETA3560 is a high-efficiency, DC-to-DC step-down switching regulator, capable of delivering up to 1A of output current. The devices operate from an input voltage range of 2.6V to 5.5V and provide output voltages from 0.6V to V_{IN} , making the ETA3560 ideal for low voltage power conversions. Running at a fixed frequency of 1.5MHz allows the use of small inductance value and low DCR inductors, thereby achieving higher efficiencies. Other external components, such as ceramic input and output caps, can also be small due to higher switching frequency, while maintaining exceptional low noise output voltages. Built-in EMI reduction circuitry makes this converter ideal power supply for RF applications. Internal soft-start control circuitry reduces inrush current. Short-circuit and thermal-overload protection improves design reliability.

ETA3560 is housed in a tiny DFN2X2-6L package

FEATURES

- ◆ Up to 96% Efficiency
- ◆ Up to 1A Max Output Current
- ◆ 1.5MHz Frequency
- ◆ Light Load operation
- ◆ Internal Compensation
- ◆ Tiny DFN2X2-6L Package

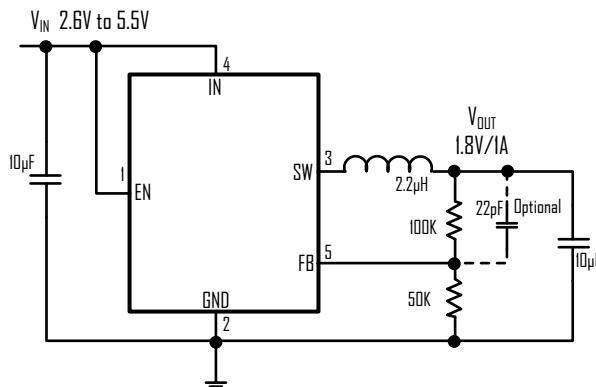
APPLICATIONS

- MIDs, Tablet PC
- Set Top Boxes
- USB ports/Hubs
- Hot Swaps
- Cellphones

ORDERING INFORMATION

PART #	PACKAGE PIN	TOP MARK
ETA3560D2G	DFN2X2-6	DIYW

TYPICAL APPLICATION



1.8V/1A 1.5MHz Step-Down Converter

