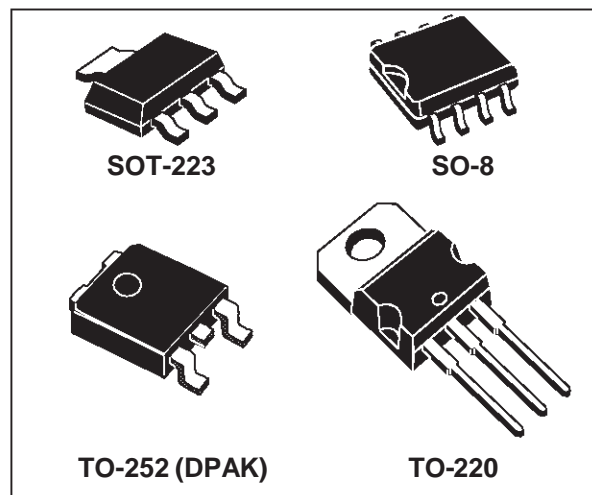


**LOW DROP FIXED AND ADJUSTABLE  
POSITIVE VOLTAGE REGULATORS**

- LOW DROPOUT VOLTAGE (1V TYP)
- 2.85V DEVICE PERFORMANCES ARE SUITABLE FOR SCSI-2 ACTIVE TERMINATION
- OUTPUT CURRENT UP TO 800mA
- FIXED OUTPUT VOLTAGE OF: 2.5V, 2.85V, 3.0V, 3.3V, 5.0V
- ADJUSTABLE VERSION AVAILABILITY ( $V_{ref}=1.25V$ )
- INTERNAL CURRENT AND THERMAL LIMIT
- AVAILABLE IN  $\pm 1\%$  (AT 25°C) AND 2% IN ALL TEMPERATURE RANGE
- SUPPLY VOLTAGE REJECTION : 75 dB (TYP)
- TEMPERATURE RANGE : 0°C TO 125°C

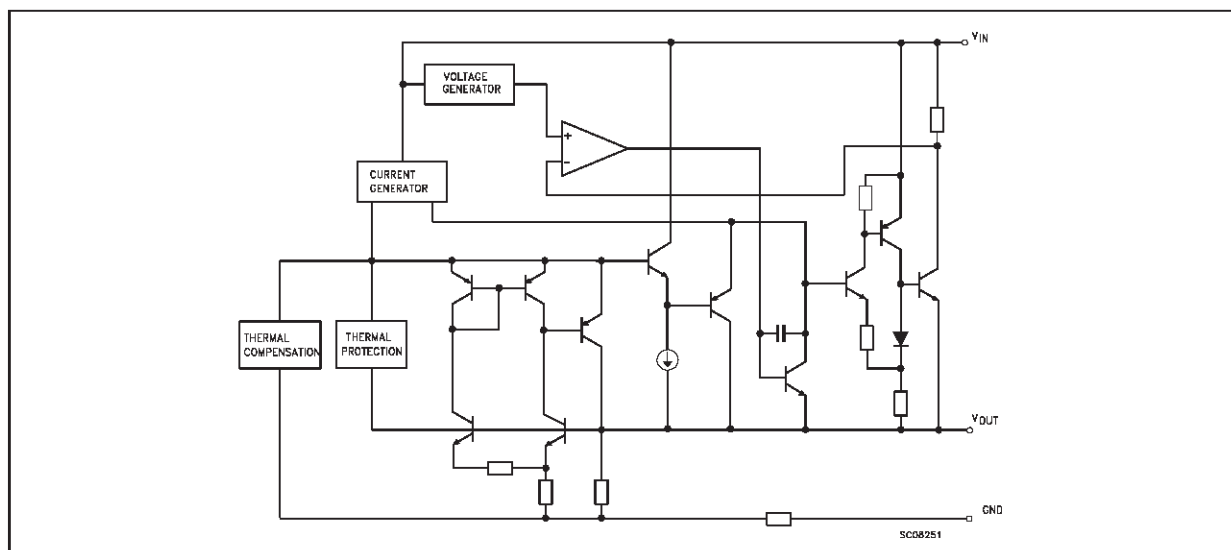
**DESCRIPTION**

The LD1117 is a LOW DROP Voltage Regulator able to provide up to 800mA of Output Current, available even in adjustable version ( $V_{ref}=1.25V$ ). Concerning fixed versions, are offered the following Output Voltages: 2.5V, 2.85V, 3.0V 3.3V and 5.0V. The 2.85V type is ideal for SCSI-2 lines active termination. The device is supplied in: SOT-223, DPAK, SO-8 and TO-220. The SOT-223 and DPAK surface mount packages optimize the thermal characteristics even offering a relevant space saving effect. High efficiency is assured by NPN



pass transistor. In fact in this case, unlike than PNP one, the Quiescent Current flows mostly into the load. Only a very common 10 $\mu$ F minimum capacitor is needed for stability. On chip trimming allows the regulator to reach a very tight output voltage tolerance, within  $\pm 1\%$  at 25 °C. The ADJUSTABLE LD1117 is pin compatible with the other standard Adjustable voltage regulators maintaining the better performances in terms of Drop and Tolerance.

**BLOCK DIAGRAM**



# LD1117 SERIES

## ABSOLUTE MAXIMUM RATINGS

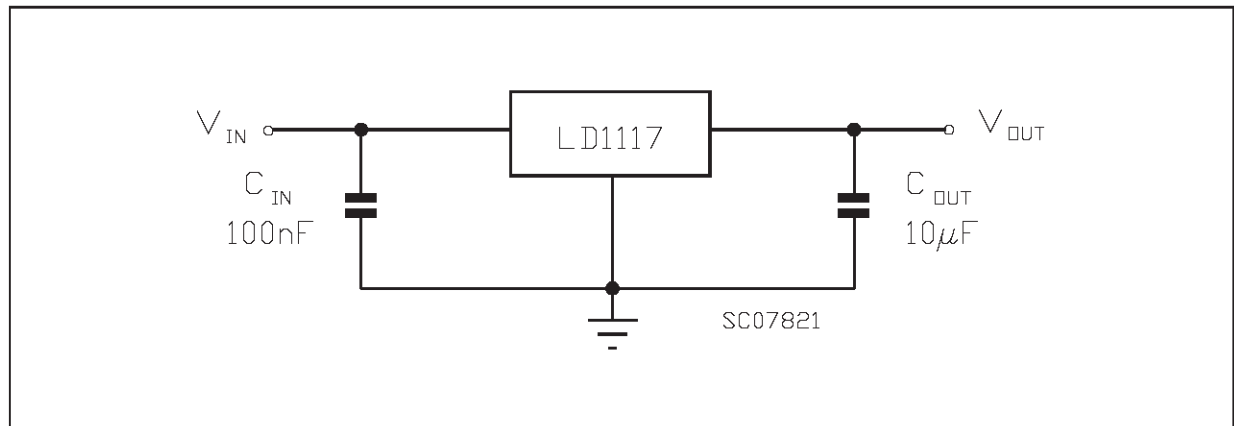
Symbol	Parameter	Value	Unit
$V_{IN}$	DC Input Voltage	15	V
$P_{tot}$	Power Dissipation	12	W
$T_{stg}$	Storage Temperature Range	-40 to 150	°C
$T_{op}$	Operating Junction Temperature Range	0 to 125	°C

Absolute Maximum Ratings are those value beyond which damage to the device may occur. Functional operation under these condition is not implied. Over the above suggested Max Power Dissipation a Short Circuit could definitively damage the device.

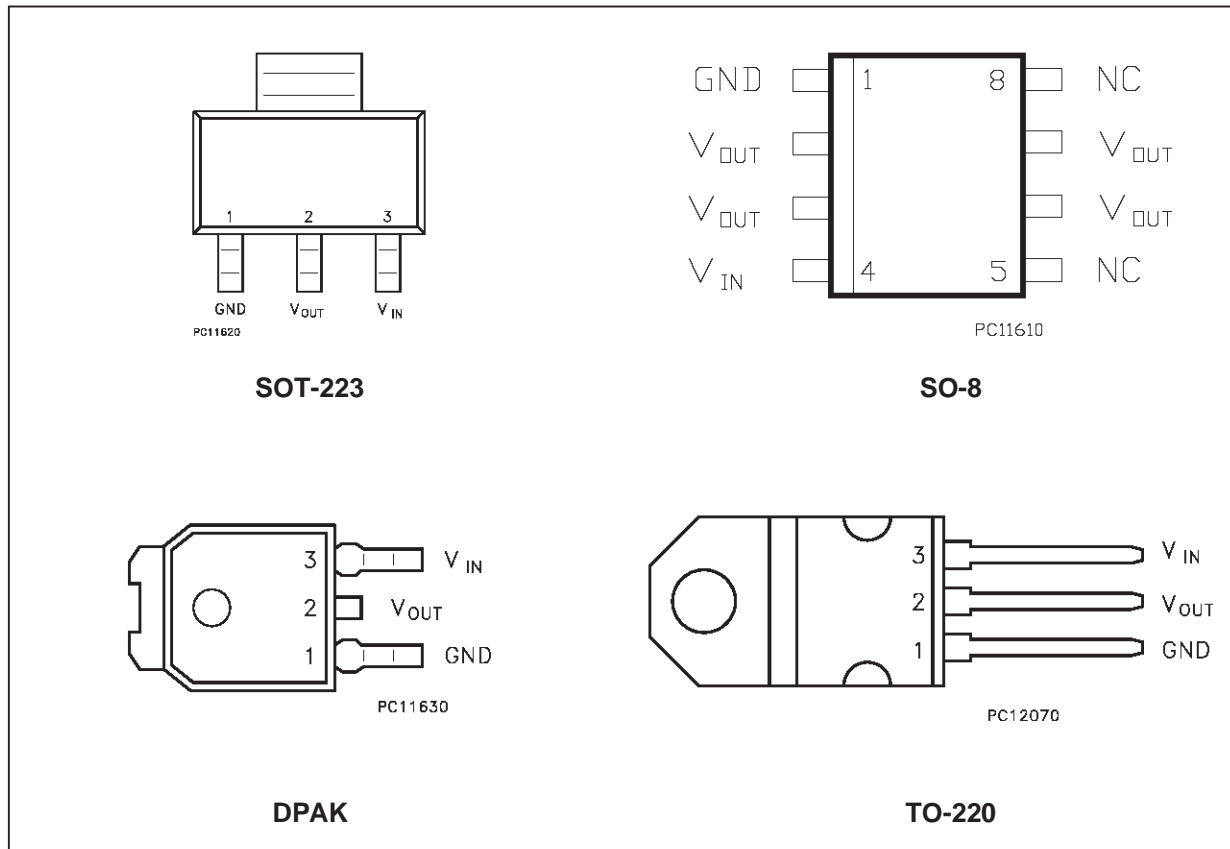
## THERMAL DATA

Symbol	Parameter	SOT-223	SO-8	DPAK	TO-220	Unit
$R_{thj-case}$	Thermal Resistance Junction-case	15	20	8	3	°C/W
$R_{thj-amb}$	Thermal Resistance Junction-ambient				50	°C/W

## APPLICATION CIRCUIT



CONNECTION DIAGRAM AND ORDERING NUMBERS (top view)



SOT-223	SO-8	DPAK	TO-220	Output Voltage
LD1117S25	LD1117D25	LD1117DT25	LD1117V25	2.5V
LD1117S25C	LD1117D25C	LD1117DT25C	LD1117V25C	2.5V
LD1117S28	LD1117D28	LD1117DT28	LD1117V28	2.85V
LD1117S30	LD1117D30	LD1117DT30	LD1117V30	3V
LD1117S30C	LD1117D30C	LD1117DT30C	LD1117V30C	3V
LD1117S33	LD1117D33	LD1117DT33	LD1117V33	3.3V
LD1117S33C	LD1117D33C	LD1117DT33C	LD1117V33C	3.3V
LD1117S50	LD1117D50	LD1117DT50	LD1117V50	5V
LD1117S50C	LD1117D50C	LD1117DT50C	LD1117V50C	5V
LD1117S	LD1117D	LD1117DT	LD1117V	ADJUSTABLE FROM 1.25 TO 15V

## LD1117 SERIES

**ELECTRICAL CHARACTERISTICS FOR LD1117#25** (refer to the test circuits,  
 $T_j = 0$  to  $125\text{ }^\circ\text{C}$ ,  $C_o = 10\text{ }\mu\text{F}$  unless otherwise specified)

Symbol	Parameter	Test Conditions	Min.	Typ.	Max.	Unit
$V_o$	Output Voltage	$V_{in} = 4.5\text{ V}$ $I_o = 10\text{ mA}$ $T_j = 25\text{ }^\circ\text{C}$	2.475	2.5	2.525	V
$V_o$	Output Voltage	$I_o = 0$ to $800\text{ mA}$ $V_{in} = 3.9$ to $10\text{ V}$	2.45		2.55	V
$\Delta V_o$	Line Regulation	$V_{in} = 3.9$ to $10\text{ V}$ $I_o = 0\text{ mA}$		1	6	mV
$\Delta V_o$	Load Regulation	$V_{in} = 3.9\text{ V}$ $I_o = 0$ to $800\text{ mA}$		1	10	mV
$\Delta V_o$	Temperature Stability			0.5		%
$\Delta V_o$	Long Term Stability	1000 hrs $T_j = 125\text{ }^\circ\text{C}$		0.3		%
$V_{in}$	Operating Input Voltage	$I_o = 100\text{ mA}$			15	V
$I_d$	Quiescent Current	$V_{in} \leq 10\text{ V}$		5	10	mA
$I_o$	Output Current	$V_{in} = 7.5\text{ V}$ $T_j = 25\text{ }^\circ\text{C}$	800	950	1200	mA
eN	Output Noise Voltage	$B = 10\text{Hz}$ to $10\text{KHz}$ $T_j = 25\text{ }^\circ\text{C}$		100		$\mu\text{V}$
SVR	Supply Voltage Rejection	$I_o = 40\text{ mA}$ $f = 120\text{ Hz}$ $T_j = 25\text{ }^\circ\text{C}$ $V_{in} = 5.5\text{ V}$ $V_{ripple} = 1\text{ Vpp}$	60	75		dB
$V_d$	Dropout Voltage	$I_o = 100\text{ mA}$ $I_o = 500\text{ mA}$ $I_o = 800\text{ mA}$		1 1.05 1.10	1.1 1.15 1.2	V V V
	Thermal Regulation	$T_a = 25\text{ }^\circ\text{C}$ 30ms Pulse		0.01	0.1	%/W

**ELECTRICAL CHARACTERISTICS FOR LD1117#28** (refer to the test circuits,  
 $T_j = 0$  to  $125\text{ }^\circ\text{C}$ ,  $C_o = 10\text{ }\mu\text{F}$  unless otherwise specified)

Symbol	Parameter	Test Conditions	Min.	Typ.	Max.	Unit
$V_o$	Output Voltage	$V_{in} = 4.85\text{ V}$ $I_o = 10\text{ mA}$ $T_j = 25\text{ }^\circ\text{C}$	2.82	2.85	2.88	V
$V_o$	Output Voltage	$I_o = 0$ to $800\text{ mA}$ $V_{in} = 4.25$ to $10\text{ V}$	2.79		2.91	V
$\Delta V_o$	Line Regulation	$V_{in} = 4.25$ to $10\text{ V}$ $I_o = 0\text{ mA}$		1	6	mV
$\Delta V_o$	Load Regulation	$V_{in} = 4.25\text{ V}$ $I_o = 0$ to $800\text{ mA}$		1	10	mV
$\Delta V_o$	Temperature Stability			0.5		%
$\Delta V_o$	Long Term Stability	1000 hrs $T_j = 125\text{ }^\circ\text{C}$		0.3		%
$V_{in}$	Operating Input Voltage	$I_o = 100\text{ mA}$			15	V
$I_d$	Quiescent Current	$V_{in} \leq 10\text{ V}$		5	10	mA
$I_o$	Output Current	$V_{in} = 7.85\text{ V}$ $T_j = 25\text{ }^\circ\text{C}$	800	950	1200	mA
eN	Output Noise Voltage	$B = 10\text{Hz}$ to $10\text{KHz}$ $T_j = 25\text{ }^\circ\text{C}$		100		$\mu\text{V}$
SVR	Supply Voltage Rejection	$I_o = 40\text{ mA}$ $f = 120\text{ Hz}$ $T_j = 25\text{ }^\circ\text{C}$ $V_{in} = 5.85\text{ V}$ $V_{ripple} = 1\text{ Vpp}$	60	75		dB
$V_d$	Dropout Voltage	$I_o = 100\text{ mA}$ $I_o = 500\text{ mA}$ $I_o = 800\text{ mA}$		1 1.05 1.1	1.1 1.15 1.2	V V V
	Thermal Regulation	$T_a = 25\text{ }^\circ\text{C}$ 30ms Pulse		0.01	0.1	%/W

**ELECTRICAL CHARACTERISTICS FOR LD1117#30** (refer to the test circuits,  
 $T_j = 0$  to  $125\text{ }^\circ\text{C}$ ,  $C_o = 10\text{ }\mu\text{F}$  unless otherwise specified)

Symbol	Parameter	Test Conditions	Min.	Typ.	Max.	Unit
$V_o$	Output Voltage	$V_{in} = 5\text{ V}$ $I_o = 10\text{ mA}$ $T_j = 25\text{ }^\circ\text{C}$	2.97	3	3.03	V
$V_o$	Output Voltage	$I_o = 0$ to $800\text{ mA}$ $V_{in} = 4.5$ to $10\text{ V}$	2.94		3.06	V
$\Delta V_o$	Line Regulation	$V_{in} = 4.5$ to $12\text{ V}$ $I_o = 0\text{ mA}$		1	6	mV
$\Delta V_o$	Load Regulation	$V_{in} = 4.5\text{ V}$ $I_o = 0$ to $800\text{ mA}$		1	10	mV
$\Delta V_o$	Temperature Stability			0.5		%
$\Delta V_o$	Long Term Stability	1000 hrs $T_j = 125\text{ }^\circ\text{C}$		0.3		%
$V_{in}$	Operating Input Voltage	$I_o = 100\text{ mA}$			15	V
$I_d$	Quiescent Current	$V_{in} \leq 12\text{ V}$		5	10	mA
$I_o$	Output Current	$V_{in} = 8\text{ V}$ $T_j = 25\text{ }^\circ\text{C}$	800	950	1200	mA
eN	Output Noise Voltage	$B = 10\text{ Hz}$ to $10\text{ kHz}$ $T_j = 25\text{ }^\circ\text{C}$		100		$\mu\text{V}$
SVR	Supply Voltage Rejection	$I_o = 40\text{ mA}$ $f = 120\text{ Hz}$ $T_j = 25\text{ }^\circ\text{C}$ $V_{in} = 6\text{ V}$ $V_{ripple} = 1\text{ Vpp}$	60	75		dB
$V_d$	Dropout Voltage	$I_o = 100\text{ mA}$ $I_o = 500\text{ mA}$ $I_o = 800\text{ mA}$		1 1.05 1.1	1.1 1.15 1.2	V V V
	Thermal Regulation	$T_a = 25\text{ }^\circ\text{C}$ 30ms Pulse		0.01	0.1	%/W

**ELECTRICAL CHARACTERISTICS FOR LD1117#33** (refer to the test circuits,  
 $T_j = 0$  to  $125\text{ }^\circ\text{C}$ ,  $C_o = 10\text{ }\mu\text{F}$  unless otherwise specified)

Symbol	Parameter	Test Conditions	Min.	Typ.	Max.	Unit
$V_o$	Output Voltage	$V_{in} = 5.3\text{ V}$ $I_o = 10\text{ mA}$ $T_j = 25\text{ }^\circ\text{C}$	3.267	3.3	3.333	V
$V_o$	Output Voltage	$I_o = 0$ to $800\text{ mA}$ $V_{in} = 4.75$ to $10\text{ V}$	3.235		3.365	V
$\Delta V_o$	Line Regulation	$V_{in} = 4.75$ to $15\text{ V}$ $I_o = 0\text{ mA}$		1	6	mV
$\Delta V_o$	Load Regulation	$V_{in} = 4.75\text{ V}$ $I_o = 0$ to $800\text{ mA}$		1	10	mV
$\Delta V_o$	Temperature Stability			0.5		%
$\Delta V_o$	Long Term Stability	1000 hrs $T_j = 125\text{ }^\circ\text{C}$		0.3		%
$V_{in}$	Operating Input Voltage	$I_o = 100\text{ mA}$			15	V
$I_d$	Quiescent Current	$V_{in} \leq 15\text{ V}$		5	10	mA
$I_o$	Output Current	$V_{in} = 8.3\text{ V}$ $T_j = 25\text{ }^\circ\text{C}$	800	950	1200	mA
eN	Output Noise Voltage	$B = 10\text{ Hz}$ to $10\text{ kHz}$ $T_j = 25\text{ }^\circ\text{C}$		100		$\mu\text{V}$
SVR	Supply Voltage Rejection	$I_o = 40\text{ mA}$ $f = 120\text{ Hz}$ $T_j = 25\text{ }^\circ\text{C}$ $V_{in} = 6.3\text{ V}$ $V_{ripple} = 1\text{ Vpp}$	60	75		dB
$V_d$	Dropout Voltage	$I_o = 100\text{ mA}$ $I_o = 500\text{ mA}$ $I_o = 800\text{ mA}$		1 1.05 1.1	1.1 1.15 1.2	V V V
	Thermal Regulation	$T_a = 25\text{ }^\circ\text{C}$ 30ms Pulse		0.01	0.1	%/W

## LD1117 SERIES

**ELECTRICAL CHARACTERISTICS FOR LD1117#50** (refer to the test circuits,  
 $T_j = 0$  to  $125$  °C,  $C_o = 10$   $\mu$ F unless otherwise specified)

Symbol	Parameter	Test Conditions	Min.	Typ.	Max.	Unit
$V_o$	Output Voltage	$V_{in} = 7$ V $I_o = 10$ mA $T_j = 25$ °C	4.95	5	5.05	V
$V_o$	Output Voltage	$I_o = 0$ to $800$ mA $V_{in} = 6.5$ to $15$ V	4.9		5.1	V
$\Delta V_o$	Line Regulation	$V_{in} = 6.5$ to $15$ V $I_o = 0$ mA		1	10	mV
$\Delta V_o$	Load Regulation	$V_{in} = 6.5$ V $I_o = 0$ to $800$ mA		1	15	mV
$\Delta V_o$	Temperature Stability			0.5		%
$\Delta V_o$	Long Term Stability	1000 hrs $T_j = 125$ °C		0.3		%
$V_{in}$	Operating Input Voltage	$I_o = 100$ mA			15	V
$I_d$	Quiescent Current	$V_{in} \leq 15$ V		5	10	mA
$I_o$	Output Current	$V_{in} = 10$ V $T_j = 25$ °C	800	950	1200	mA
eN	Output Noise Voltage	$B = 10$ Hz to $10$ KHz $T_j = 25$ °C		100		$\mu$ V
SVR	Supply Voltage Rejection	$I_o = 40$ mA $f = 120$ Hz $T_j = 25$ °C $V_{in} = 8$ V $V_{ripple} = 1$ Vpp	60	75		dB
$V_d$	Dropout Voltage	$I_o = 100$ mA $I_o = 500$ mA $I_o = 800$ mA		1 1.05 1.1	1.1 1.15 1.2	V V V
	Thermal Regulation	$T_a = 25$ °C 30ms Pulse		0.01	0.1	%/W

**ELECTRICAL CHARACTERISTICS FOR LD1117(ADJUSTABLE)** (refer to the test circuits,  
 $T_j = 0$  to  $125$  °C,  $C_o = 10$   $\mu$ F unless otherwise specified)

Symbol	Parameter	Test Conditions	Min.	Typ.	Max.	Unit
$V_{ref}$	Reference Voltage	$V_{in} - V_o = 2$ V $I_o = 10$ mA $T_j = 25$ °C	1.238	1.25	1.262	V
$V_{ref}$	Reference Voltage	$I_o = 10$ to $800$ mA $V_{in} - V_o = 1.4$ to $10$ V	1.225		1.275	V
$\Delta V_o$	Line Regulation	$V_{in} - V_o = 1.5$ to $13.75$ V $I_o = 10$ mA		0.035	0.2	%
$\Delta V_o$	Load Regulation	$V_{in} - V_o = 3$ V $I_o = 10$ to $800$ mA		0.1	0.4	%
$\Delta V_o$	Temperature Stability			0.5		%
$\Delta V_o$	Long Term Stability	1000 hrs $T_j = 125$ °C		0.3		%
$V_{in}$	Operating Input Voltage				15	V
$I_{adj}$	Adjustment Pin Current	$V_{in} \leq 15$ V		60	120	$\mu$ A
$\Delta I_{adj}$	Adjustment Pin Current Change	$V_{in} - V_o = 1.4$ to $10$ V $I_o = 10$ to $800$ mA		1	5	$\mu$ A
$I_{o(min)}$	Minimum Load Current	$V_{in} = 15$ V		2	5	mA
$I_o$	Output Current	$V_{in} - V_o = 5$ V $T_j = 25$ °C	800	950	1200	mA
eN	Output Noise (% $V_o$ )	$B = 10$ Hz to $10$ KHz $T_j = 25$ °C		0.003		%
SVR	Supply Voltage Rejection	$I_o = 40$ mA $f = 120$ Hz $T_j = 25$ °C $V_{in} - V_o = 3$ V $V_{ripple} = 1$ Vpp	60	75		dB
$V_d$	Dropout Voltage	$I_o = 100$ mA $I_o = 500$ mA $I_o = 800$ mA		1 1.05 1.1	1.1 1.15 1.2	V V V
	Thermal Regulation	$T_a = 25$ °C 30ms Pulse		0.01	0.1	%/W

**ELECTRICAL CHARACTERISTICS FOR LD1117#25C** (refer to the test circuits,  
 $T_j = 0$  to  $125\text{ }^\circ\text{C}$ ,  $C_o = 10\text{ }\mu\text{F}$  unless otherwise specified)

Symbol	Parameter	Test Conditions	Min.	Typ.	Max.	Unit
$V_o$	Output Voltage	$V_{in} = 4.5\text{ V}$ $I_o = 10\text{ mA}$ $T_j = 25\text{ }^\circ\text{C}$	2.45	2.5	2.55	V
$V_o$	Output Voltage	$I_o = 0$ to $800\text{ mA}$ $V_{in} = 3.9$ to $10\text{ V}$	2.4		2.6	V
$\Delta V_o$	Line Regulation	$V_{in} = 3.9$ to $10\text{ V}$ $I_o = 0\text{ mA}$		1	30	mV
$\Delta V_o$	Load Regulation	$V_{in} = 3.9\text{ V}$ $I_o = 0$ to $800\text{ mA}$		1	30	mV
$\Delta V_o$	Temperature Stability			0.5		%
$\Delta V_o$	Long Term Stability	1000 hrs $T_j = 125\text{ }^\circ\text{C}$		0.3		%
$V_{in}$	Operating Input Voltage	$I_o = 100\text{ mA}$			15	V
$I_d$	Quiescent Current	$V_{in} \leq 10\text{ V}$		5	10	mA
$I_o$	Output Current	$V_{in} = 7.5\text{ V}$ $T_j = 25\text{ }^\circ\text{C}$	800	950	1200	mA
eN	Output Noise Voltage	$B = 10\text{ Hz}$ to $10\text{ KHz}$ $T_j = 25\text{ }^\circ\text{C}$		100		$\mu\text{V}$
SVR	Supply Voltage Rejection	$I_o = 40\text{ mA}$ $f = 120\text{ Hz}$ $T_j = 25\text{ }^\circ\text{C}$ $V_{in} = 5.5\text{ V}$ $V_{ripple} = 1\text{ Vpp}$	60	75		dB
$V_d$	Dropout Voltage	$I_o = 100\text{ mA}$ $I_o = 500\text{ mA}$ $I_o = 800\text{ mA}$		1 1.05 1.1	1.1 1.15 1.2	V V V
	Thermal Regulation	$T_a = 25\text{ }^\circ\text{C}$ 30ms Pulse		0.01	0.1	%/W

**ELECTRICAL CHARACTERISTICS FOR LD1117#30C** (refer to the test circuits,  
 $T_j = 0$  to  $125\text{ }^\circ\text{C}$ ,  $C_o = 10\text{ }\mu\text{F}$  unless otherwise specified)

Symbol	Parameter	Test Conditions	Min.	Typ.	Max.	Unit
$V_o$	Output Voltage	$V_{in} = 5\text{ V}$ $I_o = 10\text{ mA}$ $T_j = 25\text{ }^\circ\text{C}$	2.94	3	3.06	V
$V_o$	Output Voltage	$I_o = 0$ to $800\text{ mA}$ $V_{in} = 4.5$ to $10\text{ V}$	2.88		3.12	V
$\Delta V_o$	Line Regulation	$V_{in} = 4.5$ to $12\text{ V}$ $I_o = 0\text{ mA}$		1	30	mV
$\Delta V_o$	Load Regulation	$V_{in} = 4.5\text{ V}$ $I_o = 0$ to $800\text{ mA}$		1	30	mV
$\Delta V_o$	Temperature Stability			0.5		%
$\Delta V_o$	Long Term Stability	1000 hrs $T_j = 125\text{ }^\circ\text{C}$		0.3		%
$V_{in}$	Operating Input Voltage	$I_o = 100\text{ mA}$			15	V
$I_d$	Quiescent Current	$V_{in} \leq 12\text{ V}$		5	10	mA
$I_o$	Output Current	$V_{in} = 8\text{ V}$ $T_j = 25\text{ }^\circ\text{C}$	800	950	1200	mA
eN	Output Noise Voltage	$B = 10\text{ Hz}$ to $10\text{ KHz}$ $T_j = 25\text{ }^\circ\text{C}$		100		$\mu\text{V}$
SVR	Supply Voltage Rejection	$I_o = 40\text{ mA}$ $f = 120\text{ Hz}$ $T_j = 25\text{ }^\circ\text{C}$ $V_{in} = 6\text{ V}$ $V_{ripple} = 1\text{ Vpp}$	60	75		dB
$V_d$	Dropout Voltage	$I_o = 100\text{ mA}$ $I_o = 500\text{ mA}$ $I_o = 800\text{ mA}$		1 1.05 1.1	1.1 1.15 1.2	V V V
	Thermal Regulation	$T_a = 25\text{ }^\circ\text{C}$ 30ms Pulse		0.01	0.1	%/W

**ELECTRICAL CHARACTERISTICS FOR LD1117#33C** (refer to the test circuits,  
 $T_j = 0$  to  $125^\circ\text{C}$ ,  $C_o = 10\ \mu\text{F}$  unless otherwise specified)

Symbol	Parameter	Test Conditions	Min.	Typ.	Max.	Unit
$V_o$	Output Voltage	$V_{in} = 5.3\ \text{V}$ $I_o = 10\ \text{mA}$ $T_j = 25^\circ\text{C}$	3.24	3.3	3.36	V
V						

**ELECTRICAL CHARACTERISTICS FOR LD1117#50C** (refer to the test circuits,  
 $T_j = 0$  to  $125^\circ\text{C}$ ,  $C_o = 10\ \mu\text{F}$  unless otherwise specified)

Symbol	Parameter	Test Conditions	Min.	Typ.	Max.	Unit
$V_o$	Output Voltage	$V_{in} = 7\ \text{V}$ $I_o = 10\ \text{mA}$ $T_j = 25^\circ\text{C}$	4.9	5	5.1	V
$V_o$	Output Voltage	$I_o = 0$ to $800\ \text{mA}$ $V_{in} = 6.5$ to $15\ \text{V}$	4.8		5.2	V
$\Delta V_o$	Line Regulation	$V_{in} = 6.5$ to $15\ \text{V}$ $I_o = 0\ \text{mA}$		1	50	mV
$\Delta V_o$	Load Regulation	$V_{in} = 6.5\ \text{V}$ $I_o = 0$ to $800\ \text{mA}$		1	50	mV
$\Delta V_o$	Temperature Stability			0.5		%
$\Delta V_o$	Long Term Stability	1000 hrs $T_j = 125^\circ\text{C}$		0.3		%
$V_{in}$	Operating Input Voltage	$I_o = 100\ \text{mA}$			15	V
$I_d$	Quiescent Current	$V_{in} \leq 15\ \text{V}$		5	10	mA
$I_o$	Output Current	$V_{in} = 10\ \text{V}$ $T_j = 25^\circ\text{C}$	800	950	1200	mA
eN	Output Noise Voltage	$B = 10\text{Hz}$ to $10\text{KHz}$ $T_j = 25^\circ\text{C}$		100		$\mu\text{V}$
SVR	Supply Voltage Rejection	$I_o = 40\ \text{mA}$ $f = 120\ \text{Hz}$ $T_j = 25^\circ\text{C}$ $V_{in} = 8\ \text{V}$ $V_{ripple} = 1\ \text{Vpp}$	60	75		dB
$V_d$	Dropout Voltage	$I_o = 100\ \text{mA}$ $I_o = 500\ \text{mA}$ $I_o = 800\ \text{mA}$		1 1.05 1.1	1.1 1.15 1.2	V V V
	Thermal Regulation	$T_a = 25^\circ\text{C}$ 30ms Pulse		0.01	0.1	%/W



TYPICAL APPLICATIONS:

FIGURE 1: Negative Supply

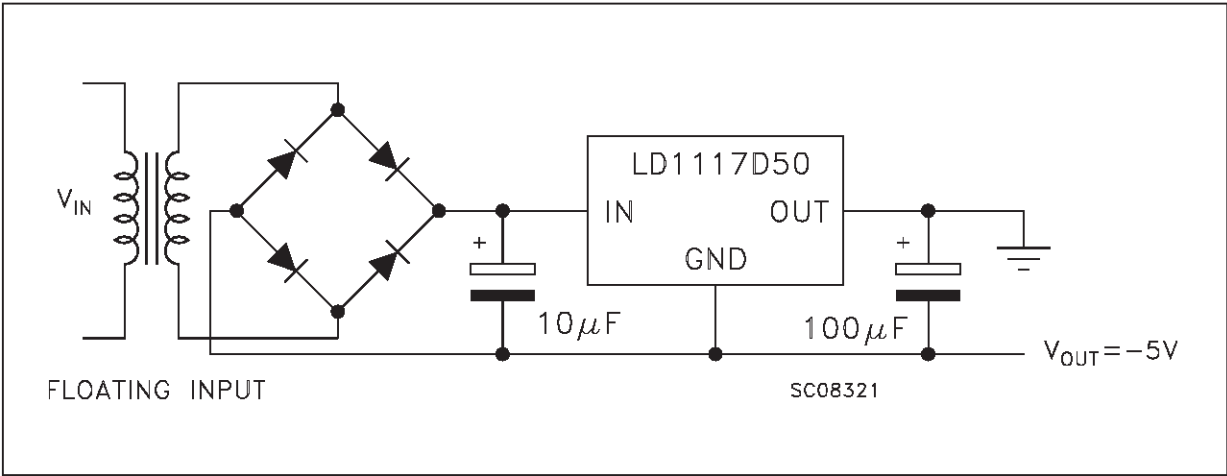


FIGURE 2: Active Terminator for SCSI-2 BUS

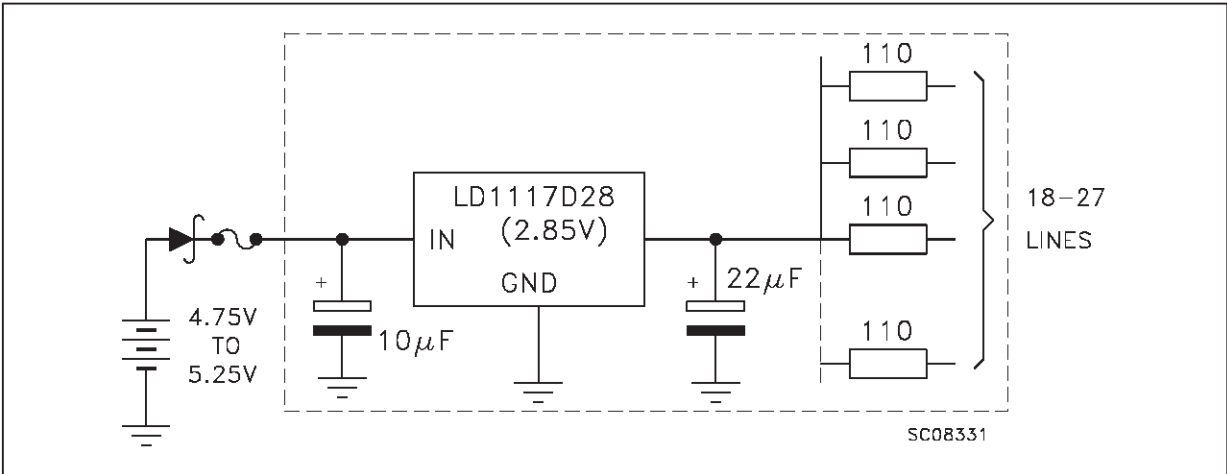
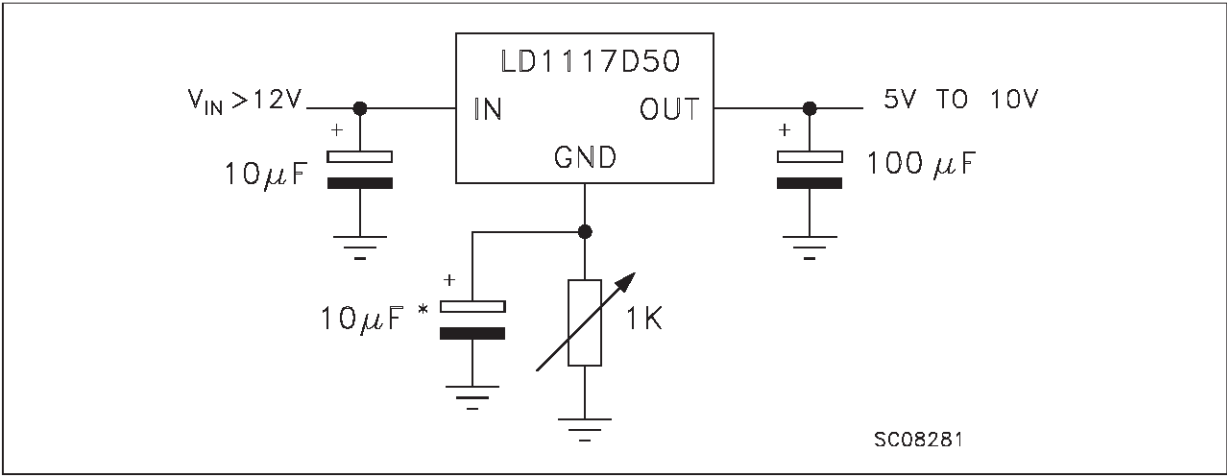


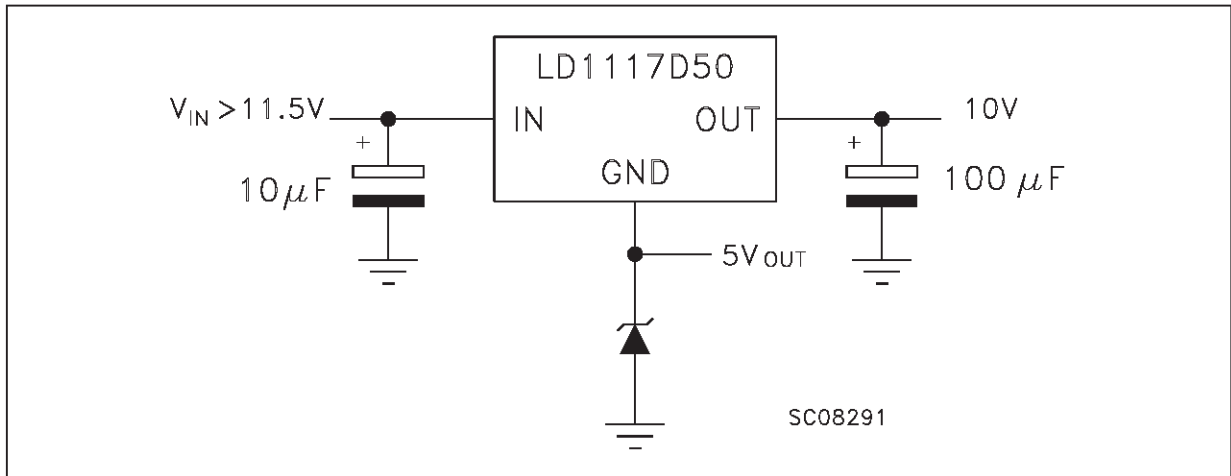
FIGURE 3: Circuit for Increasing Output Voltage



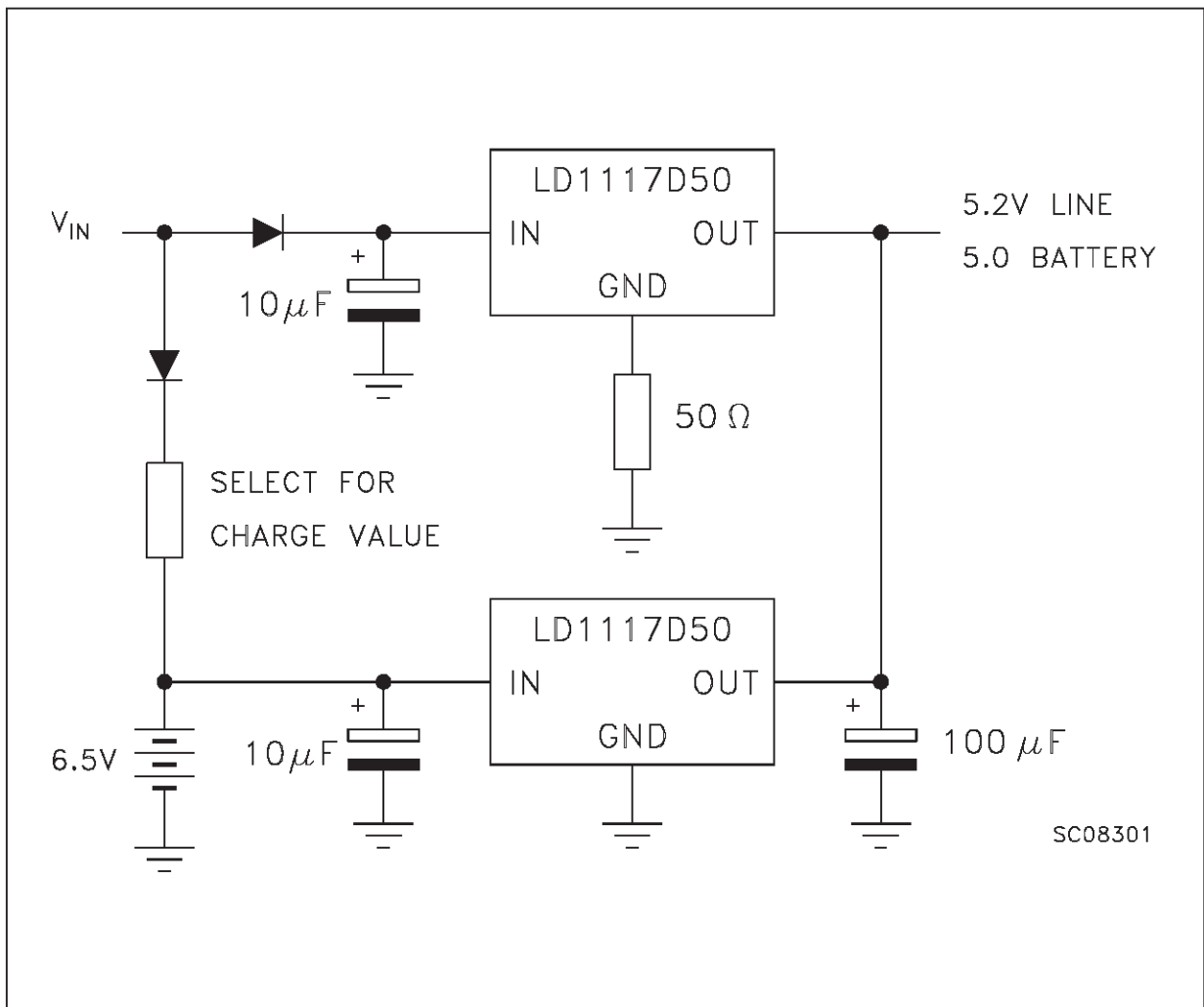
# LD1117 SERIES

## TYPICAL APPLICATIONS (continued):

**FIGURE 4:** Voltage Regulator With Reference

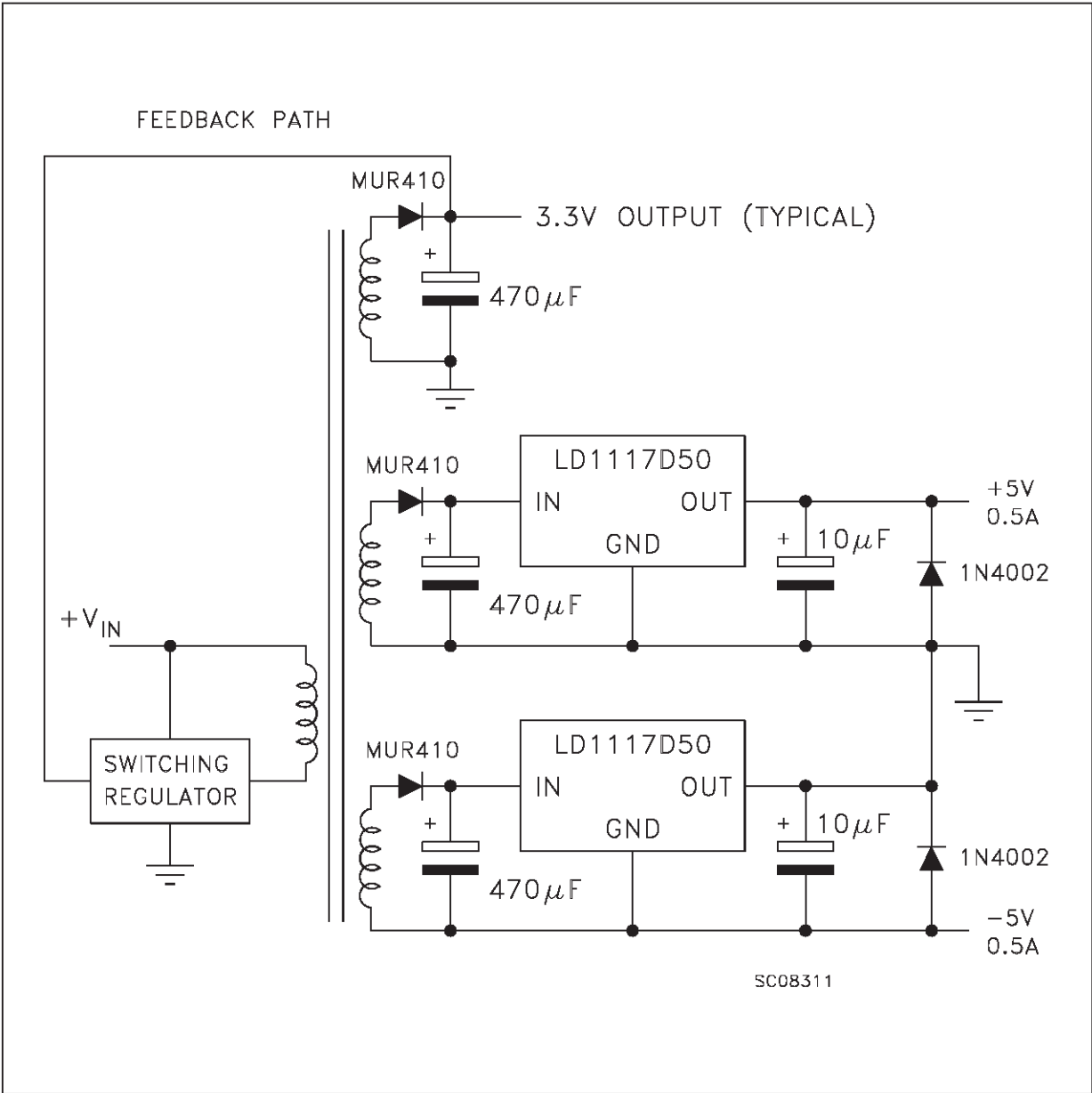


**FIGURE 5:** Battery Backed-up Regulated Supply



TYPICAL APPLICATIONS (continued):

FIGURE 6: Post-Regulated Dual Supply



**LD1117 ADJUSTABLE: APPLICATION NOTE**

The LD1117 ADJUSTABLE has a thermal stabilized  $1.25 \pm 0.012V$  reference voltage between the OUT and ADJ pins.  $I_{ADJ}$  is  $60\mu A$  typ. ( $120\mu A$  max.) and  $\Delta I_{ADJ}$  is  $1\mu A$  typ. ( $5\mu A$  max.).

$R1$  is normally fixed to  $120\Omega$ . From figure 7 we obtain:

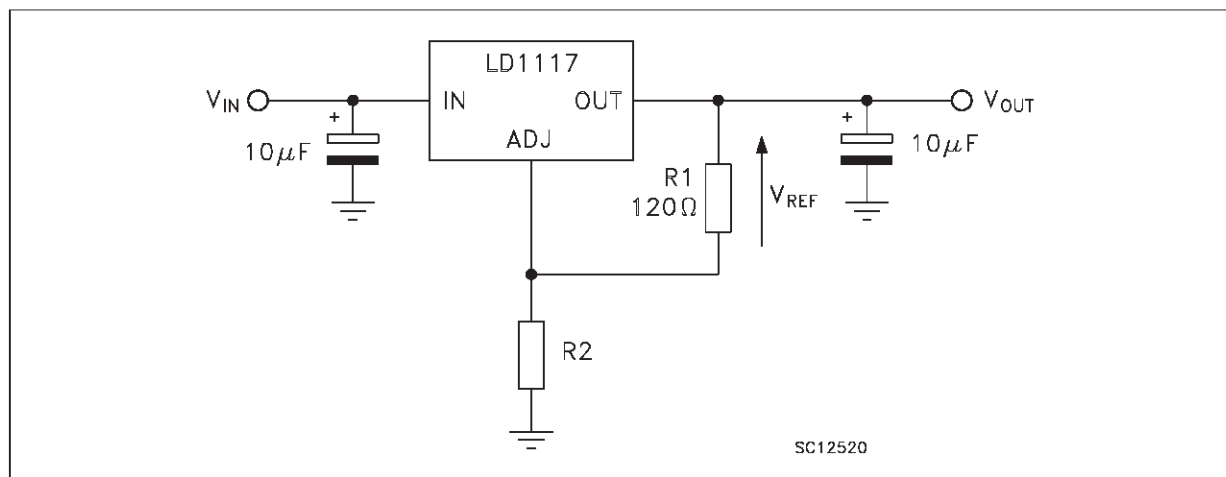
$$V_{OUT} = V_{REF} + R2 (I_{ADJ} + I_{R1}) = V_{REF} + R2 (I_{ADJ} + V_{REF} / R1) = V_{REF} (1 + R2 / R1) + R2 \times I_{ADJ}$$

In normal application  $R2$  value is in the range of few Kohm, so the  $R2 \times I_{DJ}$  product could not be considered in the  $V_{OUT}$  calculation; then the above expression becomes:

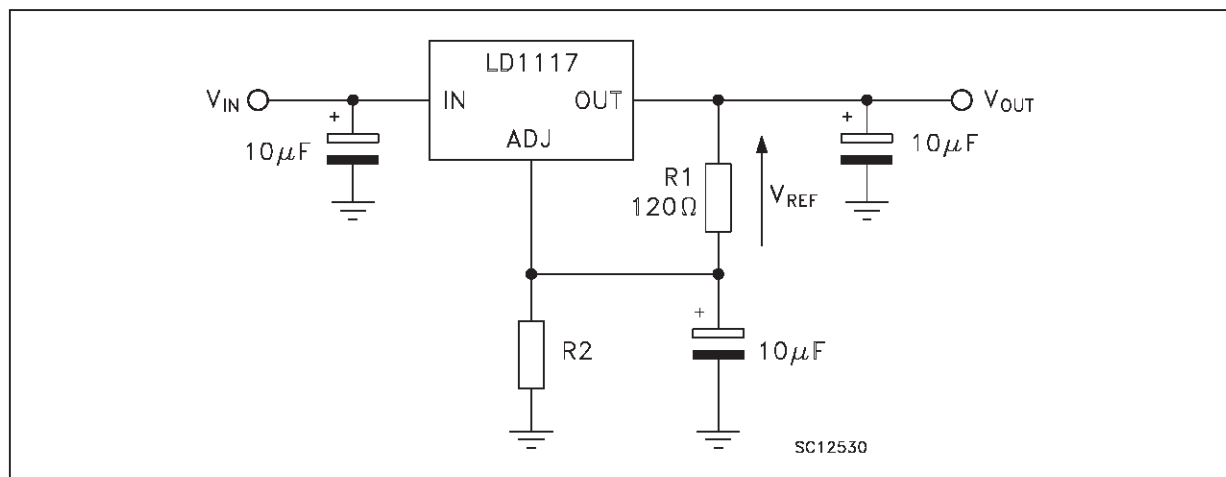
$$V_{OUT} = V_{REF} (1 + R2 / R1)$$

In order to have the better load regulation it is important to realize a good Kelvin connection of  $R1$  and  $R2$  resistors. In particular  $R1$  connection must be realized very close to OUT and ADJ pin, while  $R2$  ground connection must be placed as near as possible to the negative Load pin. Ripple rejection can be improved by introducing a  $10\mu F$  electrolytic capacitor placed in parallel to the  $R2$  resistor (see Fig.8)

**FIGURE 7:** Adjustable Output Voltage Application Circuit

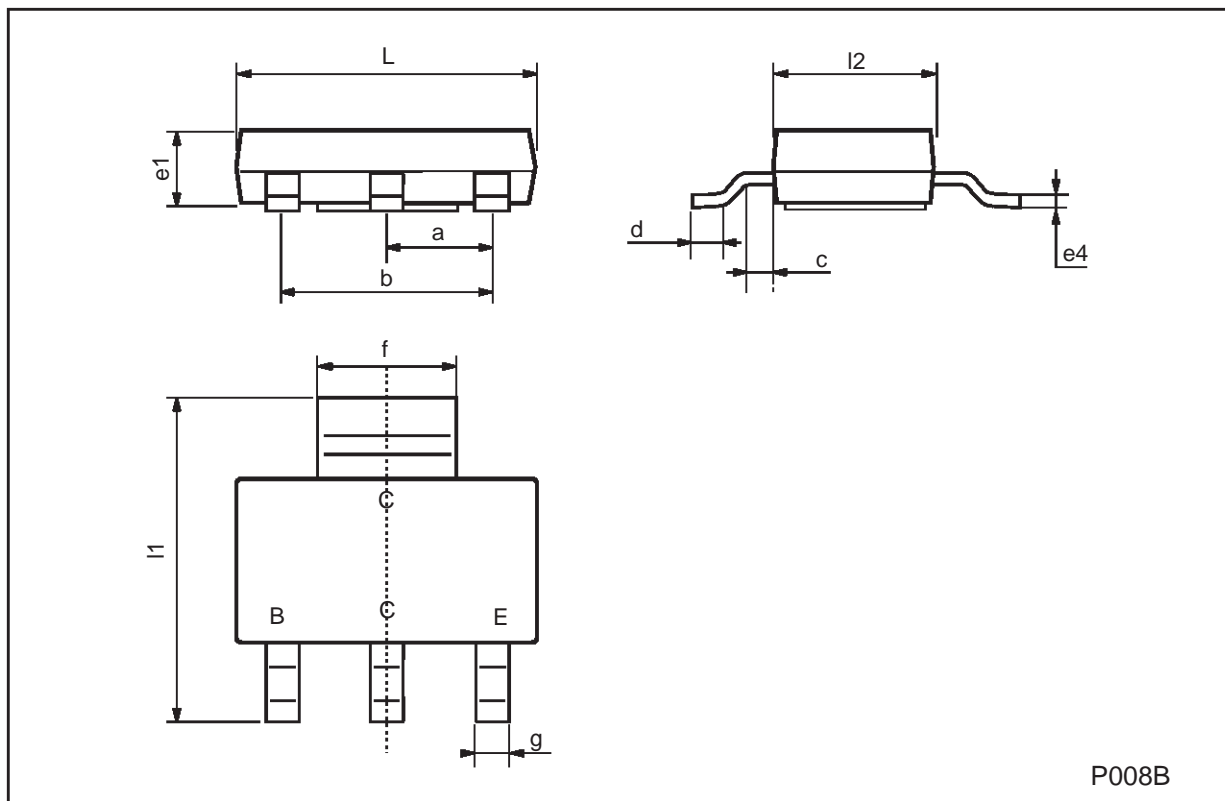


**FIGURE 8:** Adjustable Output Voltage Application with improved Ripple Rejection



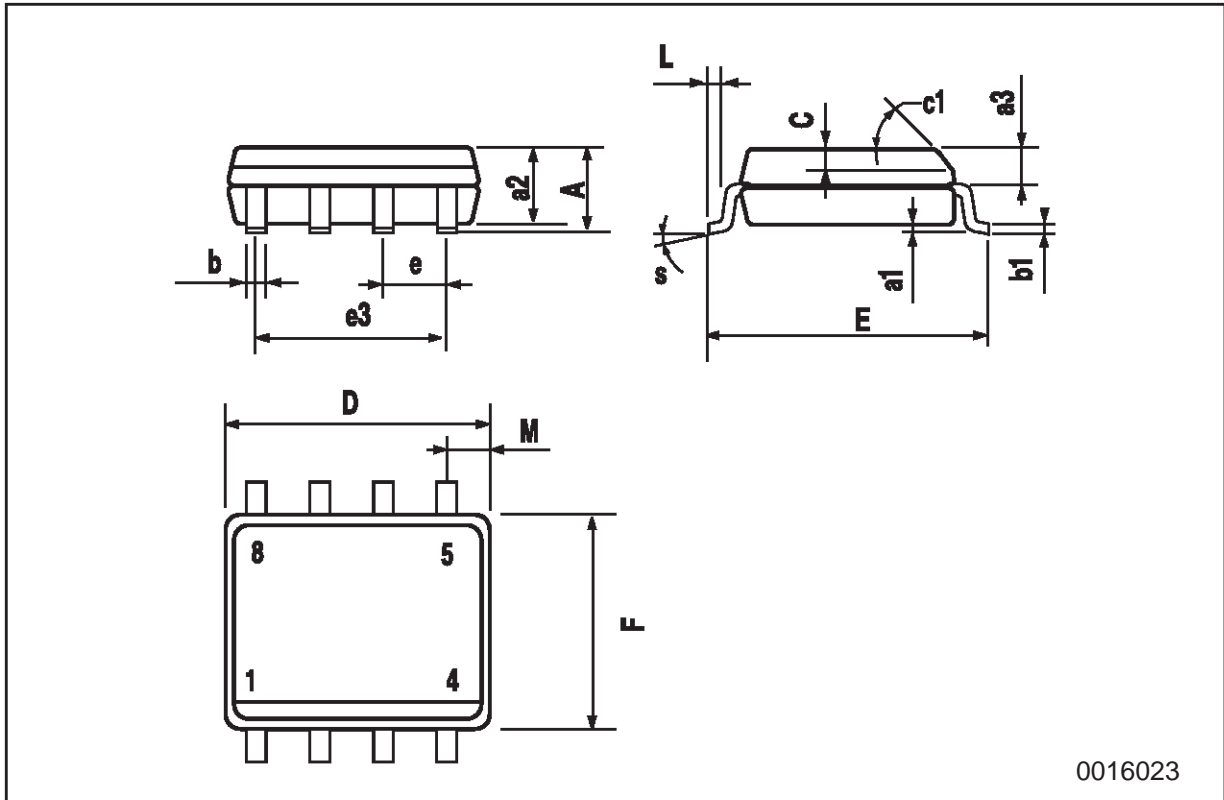
## SOT-223 MECHANICAL DATA

DIM.	mm			mils		
	MIN.	TYP.	MAX.	MIN.	TYP.	MAX.
a	2.27	2.3	2.33	89.4	90.6	91.7
b	4.57	4.6	4.63	179.9	181.1	182.3
c	0.2	0.4	0.6	7.9	15.7	23.6
d	0.63	0.65	0.67	24.8	25.6	26.4
e1	1.5	1.6	1.7	59.1	63	66.9
e4			0.32			12.6
f	2.9	3	3.1	114.2	118.1	122.1
g	0.67	0.7	0.73	26.4	27.6	28.7
l1	6.7	7	7.3	263.8	275.6	287.4
l2	3.5	3.5	3.7	137.8	137.8	145.7
L	6.3	6.5	6.7	248	255.9	263.8



**SO-8 MECHANICAL DATA**

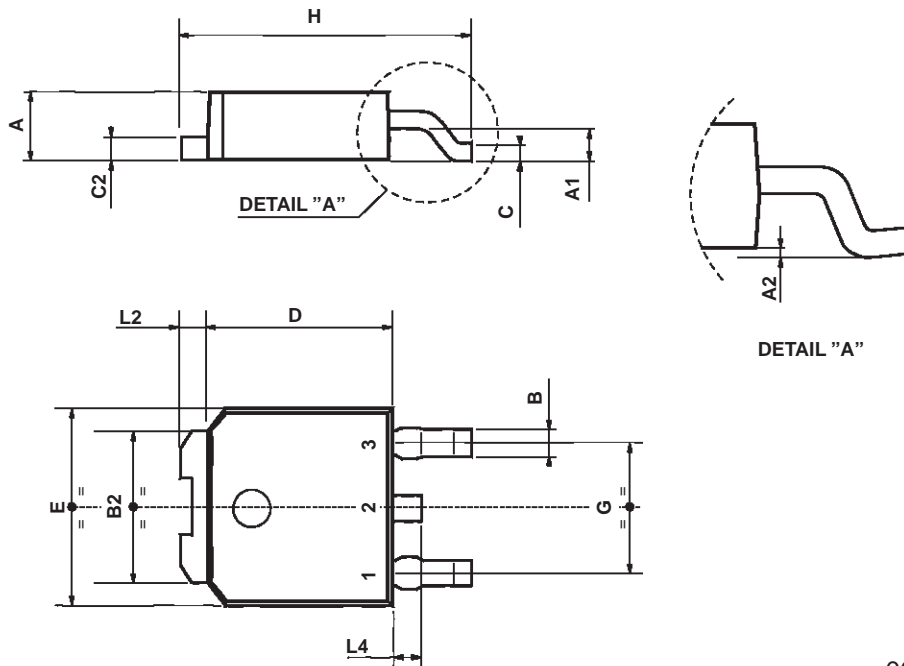
DIM.	mm			inch		
	MIN.	TYP.	MAX.	MIN.	TYP.	MAX.
A			1.75			0.068
a1	0.1		0.25	0.003		0.009
a2			1.65			0.064
a3	0.65		0.85	0.025		0.033
b	0.35		0.48	0.013		0.018
b1	0.19		0.25	0.007		0.010
C	0.25		0.5	0.010		0.019
c1	45 (typ.)					
D	4.8		5.0	0.188		0.196
E	5.8		6.2	0.228		0.244
e		1.27			0.050	
e3		3.81			0.150	
F	3.8		4.0	0.14		0.157
L	0.4		1.27	0.015		0.050
M			0.6			0.023
S	8 (max.)					



0016023

## TO-252 (DPAK) MECHANICAL DATA

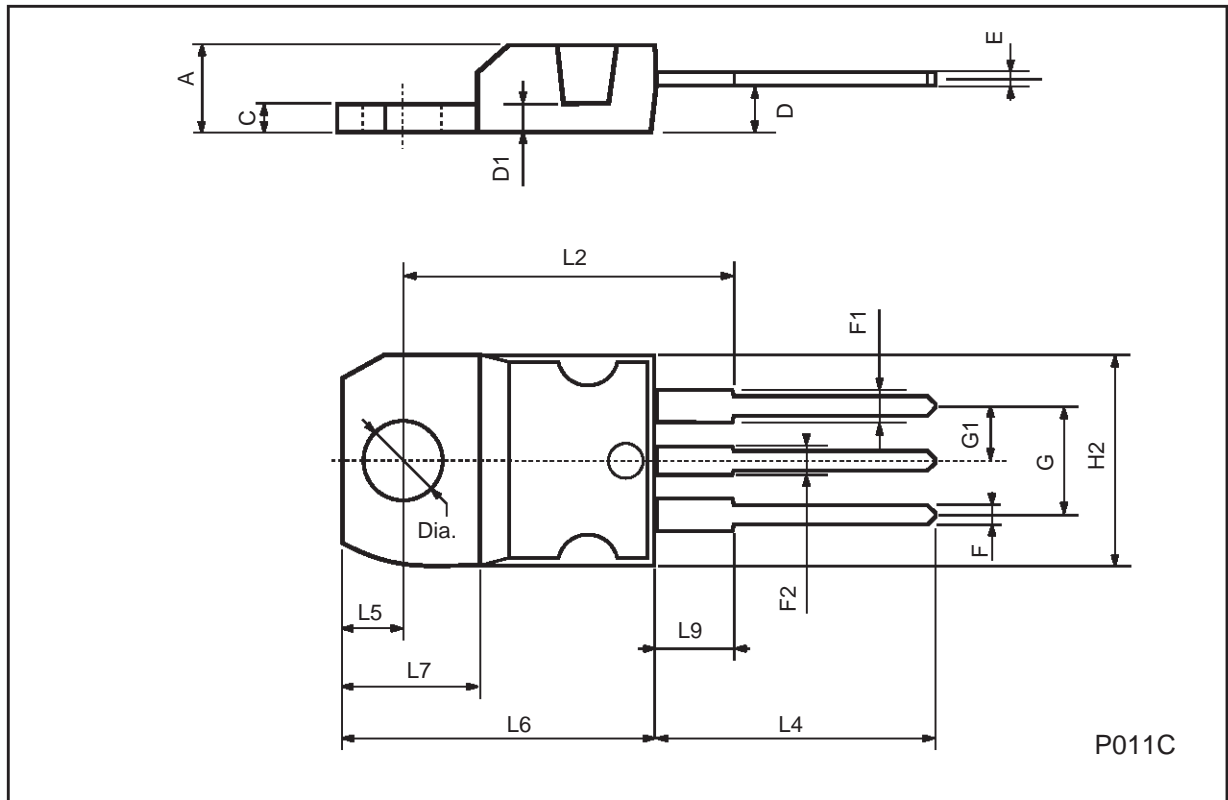
DIM.	mm			inch		
	MIN.	TYP.	MAX.	MIN.	TYP.	MAX.
A	2.2		2.4	0.086		0.094
A1	0.9		1.1	0.035		0.043
A2	0.03		0.23	0.001		0.009
B	0.64		0.9	0.025		0.035
B2	5.2		5.4	0.204		0.212
C	0.45		0.6	0.017		0.023
C2	0.48		0.6	0.019		0.023
D	6		6.2	0.236		0.244
E	6.4		6.6	0.252		0.260
G	4.4		4.6	0.173		0.181
H	9.35		10.1	0.368		0.397
L2		0.8			0.031	
L4	0.6		1	0.023		0.039



0068772-B

**TO-220 MECHANICAL DATA**

DIM.	mm			inch		
	MIN.	TYP.	MAX.	MIN.	TYP.	MAX.
A	4.40		4.60	0.173		0.181
C	1.23		1.32	0.048		0.051
D	2.40		2.72	0.094		0.107
D1		1.27			0.050	
E	0.49		0.70	0.019		0.027
F	0.61		0.88	0.024		0.034
F1	1.14		1.70	0.044		0.067
F2	1.14		1.70	0.044		0.067
G	4.95		5.15	0.194		0.203
G1	2.4		2.7	0.094		0.106
H2	10.0		10.40	0.393		0.409
L2		16.4			0.645	
L4	13.0		14.0	0.511		0.551
L5	2.65		2.95	0.104		0.116
L6	15.25		15.75	0.600		0.620
L7	6.2		6.6	0.244		0.260
L9	3.5		3.93	0.137		0.154
DIA.	3.75		3.85	0.147		0.151





Information furnished is believed to be accurate and reliable. However, SGS-THOMSON Microelectronics assumes no responsibility for the consequences of use of such information nor for any infringement of patents or other rights of third parties which may result from its use. No license is granted by implication or otherwise under any patent or patent rights of SGS-THOMSON Microelectronics. Specifications mentioned in this publication are subject to change without notice. This publication supersedes and replaces all information previously supplied. SGS-THOMSON Microelectronics products are not authorized for use as critical components in life support devices or systems without express written approval of SGS-THOMSON Microelectronics.

© 1998 SGS-THOMSON Microelectronics - Printed in Italy - All Rights Reserved

SGS-THOMSON Microelectronics GROUP OF COMPANIES

Australia - Brazil - Canada - China - France - Germany - Hong Kong - Italy - Japan - Korea - Malaysia - Malta - Morocco - The Netherlands - Singapore - Spain - Sweden - Switzerland - Taiwan - Thailand - United Kingdom - U.S.A

This datasheet has been download from:

[www.datasheetcatalog.com](http://www.datasheetcatalog.com)

Datasheets for electronics components.